

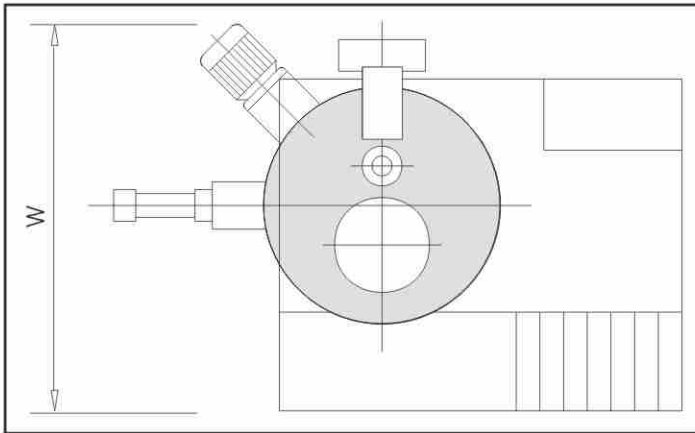
# JICON



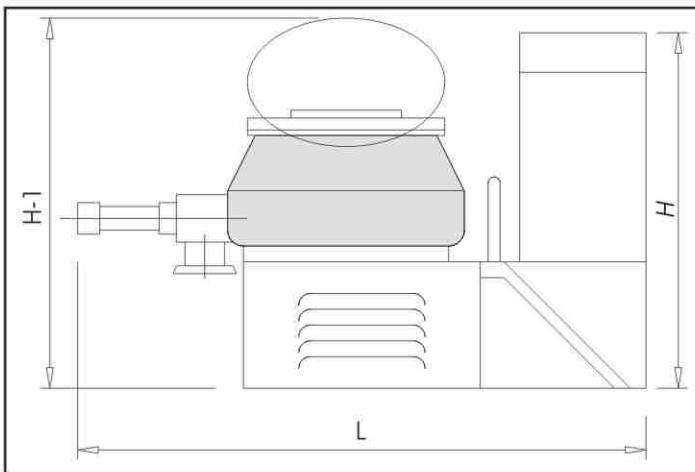
## Special Features

- Contact parts can be of SS 304/316 grade.
- Control panel with display and timer.
- All MS parts of machine are clad / covered with SS sheets.
- All components easily accessible for easy cleaning.
- All electrical & pneumatic parts are prewired to simplify installation.
- Limit switch provided on main lid for safe operation.
- Discharge can be provided on either side to suit clients requirement.

# RAPID MIXER GRANULATOR



**PLAN**



**ELEVATION**

**TECHNICAL SPECIFICATIONS:**

MODEL	RMG 25	RMG 100	RMG 150	RMG 250	RMG 400	RMG 600	RMG 1000
Gross Volume in Ltrs	25 L	100 L	150 L	250 L	400 L	600 L	1000 L
Working Volume in Ltrs	20 L	80 L	120 L	200 L	320 L	480 L	800 L
Main Motor H.P.	3 / 5 HP	7.5/10 HP	10/15 HP	20/30 HP	30/40 HP	40/50 HP	63/85 HP
Main Motor RPM	750/1500	750/1500	750/1500	750/1500	750/1500	750/1500	750/1500
Chopper Motor H.P.	1/2 HP	2 / 3 HP	3 / 5 HP	3 / 5 HP	5/7.5 HP	5/7.5 HP	10/15 HP
Chopper Motor RPM	1440/2880	1440/2880	1440/2880	1440/2880	1440/2880	1440/2880	1440/2880
WT in KG (Approx)	900 KG	1400 KG	1500 KG	1800 KG	2000 KG	2300 KG	3000 KG
<b>DIMENSIONS in mm</b>	<b>L</b>	1400	2350	2500	2510	2760	3200
	<b>W</b>	1000	1100	1250	2350	2565	3150
	<b>H</b>	1310	1750	1820	2050	2245	2610
	<b>H-1</b>	1345	1900	2100	2200	2470	3250

As constant efforts are made to improve the features, specifications and dimensions shown are subject to changes without notices.

The Rapid Mixer Granulator is designed to suit the requirements of Pharmaceutical and Chemical Industry. As the name suggests, this machine performs two operations - mixing and granulating. After mixing of dry powders/ granules, subsequent wet granulation occurs producing loose granules, thus avoiding transfer of dry mixture.

The mixing is achieved by paddle type impeller blades spinning close to bottom of the mixing bowl. The impeller blades are angled in a way that sets the entire mixture in a whirling - rising - tumbling motion ensuring a quick and even distribution of all dry components which leads to an even wetting of every granule. Dome shaped mixing bowl directs loose particles into whirling motion with help of impeller for efficient mixing.

The large lumps formed during wet mixing are broken up by chopping tool rotating at 1440/2880 RPM. Specially designed chopper blades driven at high speed for fast and uniform granulation throughout the whole mass in mixing bowl.

The mix can be discharged with the impeller running through outlet located on the side of the mixing bowl near the bottom.

The mixing tool is easily removed from the drive shaft to facilitate easy cleaning of mixing bowl. The side discharge assembly is hinged for accessibility for cleaning.

Note :Staircase will not be provided for smaller capacity model (25,100,150 liters.)



**JICON MACHINES**  
PRIVATE LIMITED

P. O. Box 8902, Mumbai - 400 072. India. Tel.: (+91)(22) 851 03 98 • Fax : (+91)(22) 851 64 88  
E-mail : jicon.ind@vsnl.com • Website : <http://www.jicon.com>